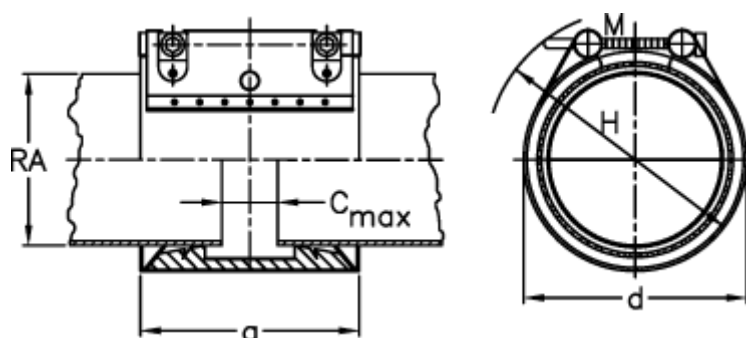


Article number: 025849160139

Description: Norma Connect pipe coupling
COMBI GRIP GL W2 Ø139,7/140 EPDM 16 bar

Measures



a = 115.0

C max with insertion band = 35

d = 170

H = 200

M (screw) = M12

Nominal pressure (bar) = 16

RA = 139,7/140,0

RA min-RA max metal = 138,0-141,0

RA min-RA max plastic = 138,0-142,0

Weight a piece = 3.4